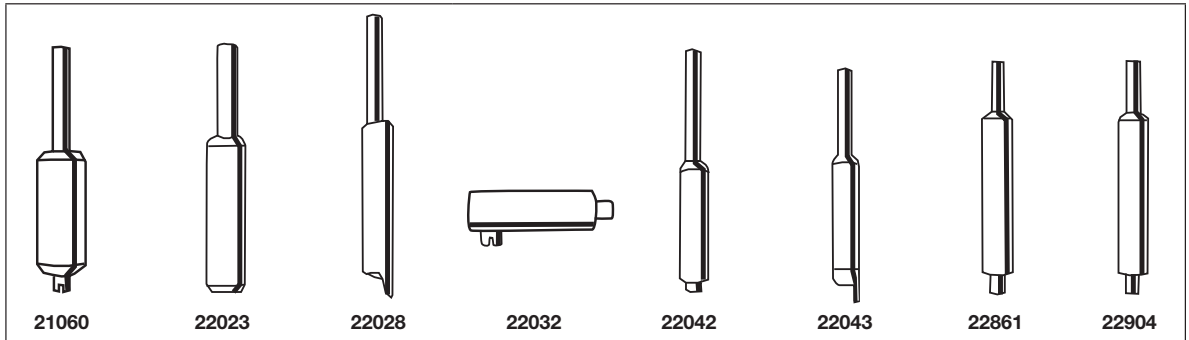


AGRICULTURAL

Models	Muffler No.	Inlet Clamp No.	Muffler Specs.				
			I.D. Inlet Dia.	O.D. Outlet Dia.	Shell Dia.	Overall Length	Shell Length

ALLIS-CHALMERS



GAS								
B, 1B, C, CA, RC, B125, TDL (V)	22028	N.R.	1½ O.D.	1½	¾	32 ² / ₁₆	19¾	
D10, D12, D14, D15, G138, G160 Up to Ser. No. 9001 (V)	22028	N.R.	1½ O.D.	1½	¾	32 ² / ₁₆	19¾	
WD, 2CP (V)	22042	35343	1¾ O.D.	1¾	¾	31½	15½	
WD45, D-17 Up to Ser. No. 32000, 2CP, W226, G226, D, E (V)	22043	N.R.	1¾ O.D.	1¾	¾	31¼	17	
D17 From Ser. No. 32001 thru Ser. No. 42000 (V)	22023	35335	1 ⁷ / ₈	1½	¾	18	13	
190 After Ser. No. 19000 (V)	21060 ¹³ w/42596	35337	2 ⁷ / ₁₆	2½	5 ⁸ / ₁₆	32	17 ¹¹ / ₁₆	
DIESEL								
B, 1B, C, CA, RC, TDL (V)	22028	N.R.	1½ O.D.	1½	¾	32 ² / ₁₆	19¾	
D10, D12, D14, D15 Up to Ser. No. 9001 (V)	22028	N.R.	1½ O.D.	1½	¾	32 ² / ₁₆	19¾	
WD, 2CP (V)	22042	35343	1¾ O.D.	1¾	¾	31½	15½	
WD45, D-17 Up to Ser. No. 32000 (V)	22043	N.R.	1¾ O.D.	1¾	¾	31¼	17	
7000, 7020 w/301 Turbocharged Eng.	22861 ¹⁴	35753	3½	3 ⁵ / ₈	5 ⁸ / ₁₆	42	28	
7000, 7010, 7020, 7030, 7040, 7045, 7050, 7060 (V)	22904	35794	3	3	6 ¹ / ₈	48	32	
LP								
WD45, D-17 Up to Ser. No. 32000, 2CP, W226 G226, D, E (V)	22043	N.R.	1¾ O.D.	1¾	¾	31¼	17	
D17 From Ser. No. 32001 thru Ser. No. 42000 (V)	22023	35335	1 ⁷ / ₈	1½	¾	18	13	
COMBINE								
GAS								
A, B, C, H, R From Ser. No. 25301 (H)	22032	35793	2½	2 ¹ / ₈	¾	19½	14¾	
F Up to Ser. No. 12201 (H)								
G Up to Ser. No. 17001 (H)								
K (1968 and up) w/Chevrolet Eng.								
COMBINE DIESEL								
A2, C2 (H) F (all) 860 (Cotton Harvester)	22032	35793	2½	2 ¹ / ₈	¾	19½	14¾	

- (V) Vertical
1 Fits Models w/172 Gas Eng. from 1953-57 and Models w/134 Gas Eng. from 1953 on.
2 Fits Models Up to 1964.

- (H) Horizontal
3 Fits Models from 1964.
4 Fits Models from 1958-1964.
5 Requires 31322 Gasket.

- 13** Requires 42596 Pipe.
14 Requires 41980 Adapter & 35753 Clamp.
15 Use Spout 42536 w/35408.

ACCESSORIES

TECH-FIT

HEAVY DUTY TRUCK
 GWW 7-8

APPLICATION BY ENGINE

MEDIUM DUTY TRUCK
 GWW 3-6

SCHOOL BUS

AGRICULTURAL

MUFFLER SPECS

O.E. CROSS REFERENCE

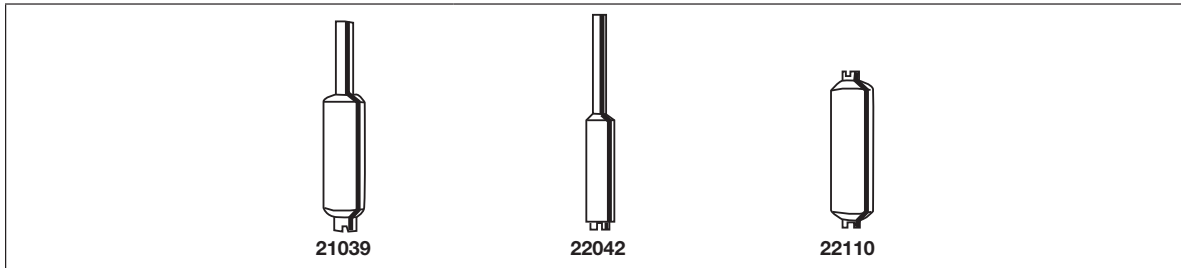
AGRICULTURAL

Models	Muffler No.	Inlet Clamp No.	Muffler Specs.				
			I.D. Inlet Dia.	O.D. Outlet Dia.	Shell Dia.	Overall Length	Shell Length

ALLIS-CHALMERS - Cont.

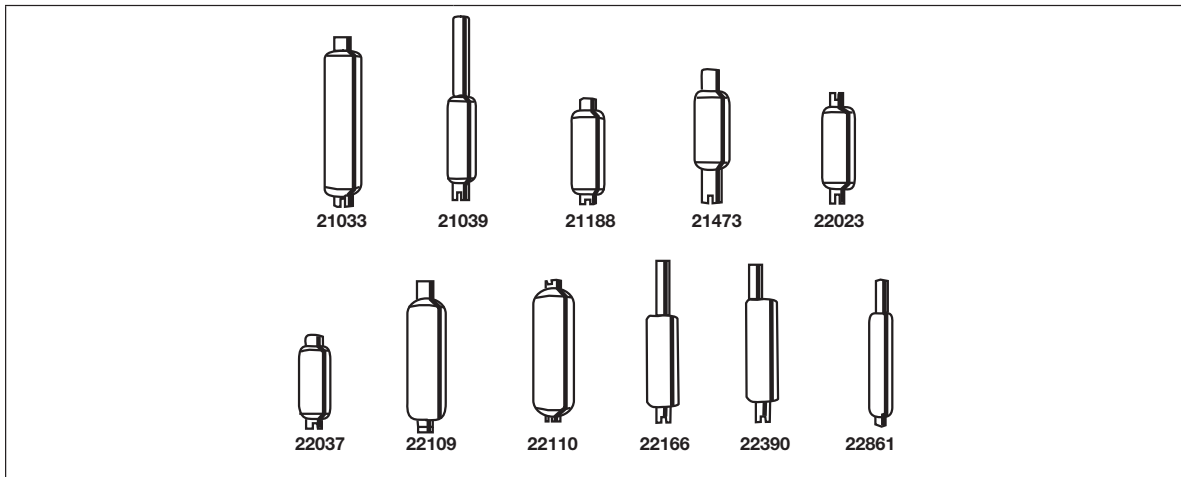
COMBINE LP							
A, B, C, H, R From Ser. No. 25301 (H) F Up to Ser. No. 12201 (H) G Up to Ser. No. 17001 (H)	22032	35793	2½	2⅝	4¼	19½	14¾

DAVID BROWN



GAS							
780, 880 (V)	21039	35335	1⅝ ₁₆	2	4⅝	28⅝	15⅝ ₁₆
990, 1200 (V)	22042	35343	1¾ O.D.	1¾	3¾	31½	15½
885, 990, 995, 996, 1210, 1212 (H)	22110 w/35250	35405	1⅝	1⅝ I.D.	4¼	22½	17⅝
DIESEL							
780, 880 (V)	21039	35335	1⅝ ₁₆	2	4⅝	28⅝	15⅝ ₁₆
990, 1200 (V)	22042	35343	1¾ O.D.	1¾	3¾	31½	15½
885, 990, 995, 996, 1210, 1212 (H)	22110 w/35250	35405	1⅝	1⅝ I.D.	4¼	22½	17⅝

J.I. CASE



GAS							
C, CC, C1, D, DC, DC-4, DE, D1, D1M, DS, DV, TM, 400, 700 & 800 (V)	21033	35335	2¼	2¼	4¼	26¾	22½

(V) Vertical

1 Fits Models w/172 Gas Eng. from 1953-57 and Models w/134 Gas Eng. from 1953 on.

2 Fits Models Up to 1964.

(H) Horizontal

3 Fits Models from 1964.

4 Fits Models from 1958-1964.

5 Requires 31322 Gasket.

13 Requires 42596 Pipe.

14 Requires 41980 Adapter & 35753 Clamp.

15 Use Spout 42536 w/35408.

AGRICULTURAL

Models	Muffler No.	Inlet Clamp No.	Muffler Specs.					
			I.D. Inlet Dia.	O.D. Outlet Dia.	Shell Dia.	Overall Length	Shell Length	
J.I. CASE - Cont.								
GAS - Cont.								
V, VA, VAC & VC (GAS), (1953-55) 200B, 300B, 400B, (1957-59), 300, 400, 500 & 600, (1953-57) 310 & 350 (1954-59), (V) Use Rain Cap 35512	22166	35408	1 ¹⁵ / ₁₆	2	3 ¹ / ₄	29	17	
VA, VAC, VAH, VAI, VAS, 300, 350, 500, VC 600, 310 Utility, 200B, 300B, 400B, 500B (V) VA Series, 200B, 300B, 400B, 500B	21039	35335	1 ¹⁵ / ₁₆	2	4 ⁵ / ₈	28 ³ / ₈	15 ¹ / ₁₆	
LCK-430G, 440, 441, 530, 630, 640, 641 (V)	21473	35337	2 ¹ / ₂	2 ⁵ / ₈	4 ⁵ / ₈	27 ³ / ₄	14	
200B, 210B, 211B, Gas 430, 530 Gas Before Ser. No. 8191147, 300, 300B, 301B, 311B, 410B, 500B (H)	22110	35405	1 ⁵ / ₈	1 ⁵ / ₈ I.D.	4 ¹ / ₄	22 ¹ / ₂	17 ⁵ / ₈	
600B, 610, 611B (V)	22109	35334	2 ¹ / ₈	1 ⁷ / ₈ I.D.	4 ¹ / ₄	21	15 ¹ / ₄	
600B, 610B, and 611B (H)	22023	35335	1 ⁷ / ₈	1 ¹ / ₂	4 ¹ / ₄	18	13	
430, 530 After Ser. No. 8191147, LCK-530D & 600 (H)	22109	35334	2 ¹ / ₈	1 ⁷ / ₈ I.D.	4 ¹ / ₄	21	15 ¹ / ₄	
LA, 900, 930, 940, 1030, 1200 (V)	22037	35794	2 ³ / ₄	2 ¹ / ₂	4 ⁵ / ₈	26 ¹ / ₈	16 ¹ / ₂	
730, 830 (Exc. Comfort King), 730C, 830C, 740, 840 (V)	21473	35337	2 ¹ / ₂	2 ⁵ / ₈	4 ⁵ / ₈	27 ³ / ₄	14	
470, 480, 570, 580 (Back Hoe-Loader)	22390	35337	2 ¹ / ₂	1 ⁷ / ₈	4 ⁵ / ₈ x 8 ³ / ₈	33 ¹ / ₂	19	
DIESEL								
C, CC, C1, D, DC, DC-4, DE, D1, D1M, DS, DV, TM, 400, 700, 800 (V)	21033	35335	2 ¹ / ₄	2 ¹ / ₄	4 ¹ / ₄	26 ³ / ₄	22 ¹ / ₂	
430 Before Ser. No. 8262800 (1966), 431LCK-430D, LCK-430G, 440, 441, 530, 630, 640, 641 (V)	21473	35337	2 ¹ / ₂	2 ⁵ / ₈	4 ⁵ / ₈	27 ³ / ₄	14	
200B, 210B, 211B, Gas 430, 530 Gas Before Ser. No. 8191147, 300, 300B, 301B, 311B, 410B, 500B (H)	22110	35405	1 ⁵ / ₈	1 ⁵ / ₈ I.D.	4 ¹ / ₄	22 ¹ / ₂	17 ⁵ / ₈	
430, 530 Before Ser. No. 8262800, LCK-530D & 600 (H)	22109	35334	2 ¹ / ₈	1 ⁷ / ₈ I.D.	4 ¹ / ₄	21	15 ¹ / ₄	
500, 600, 900, 930, 940, 1200 (V)	22037	35794	2 ³ / ₄	2 ¹ / ₂	4 ⁵ / ₈	26 ¹ / ₈	16 ¹ / ₂	
1170, 1175, 1270, 1370 w/451 C.I.D. w/Turbocharger (V)	22861	35753	3 ¹ / ₂	3 ⁵ / ₈	5 ⁵ / ₈	42	28	
730, 740, 830, 840 (V)	21473	35337	2 ¹ / ₂	2 ⁵ / ₈	4 ⁵ / ₈	27 ³ / ₄	14	
470, 480, 570, 580	21473	35337	2 ¹ / ₂	2 ⁵ / ₈	4 ⁵ / ₈	27 ³ / ₄	14	
COMBINE GAS & DIESEL								
700, 900, 960 (V)	21188	35335	2	2 ³ / ₁₆	4 ¹ / ₄	17	12 ¹ / ₁₆	

- (V) Vertical
1 Fits Models w/172 Gas Eng. from 1953-57 and Models w/134 Gas Eng. from 1953 on.
2 Fits Models Up to 1964.

- (H) Horizontal
3 Fits Models from 1964.
4 Fits Models from 1958-1964.
5 Requires 31322 Gasket.

- 13** Requires 42596 Pipe.
14 Requires 41980 Adapter & 35753 Clamp.
15 Use Spout 42536 w/35408.

ACCESSORIES

TECH-FIT

HEAVY DUTY TRUCK
GW 7-8

APPLICATION BY ENGINE

MEDIUM DUTY TRUCK
GW 3-6

SCHOOL BUS

AGRICULTURAL

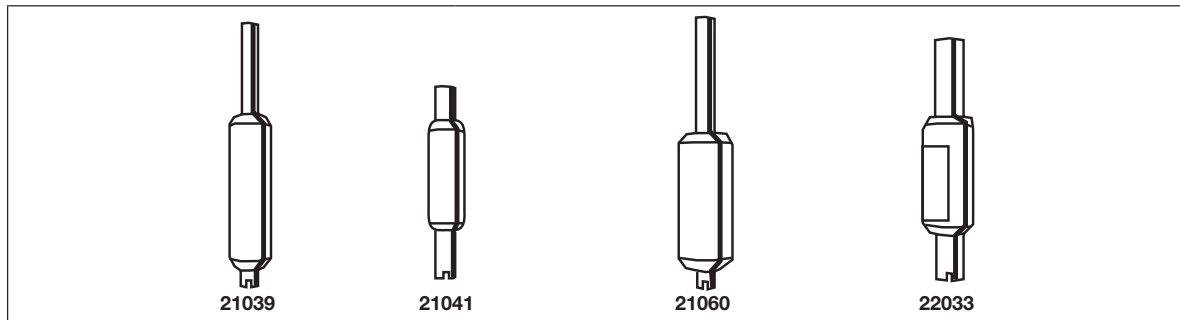
MUFFLER SPECS

O.E. CROSS REFERENCE

AGRICULTURAL

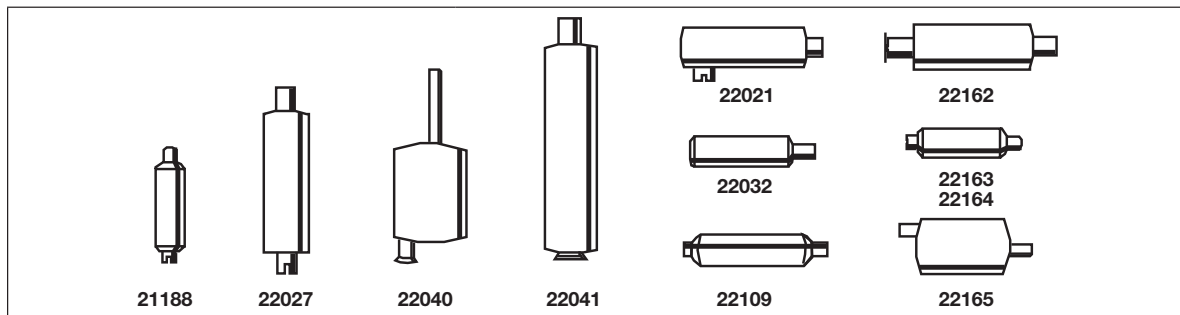
Models	Muffler No.	Inlet Clamp No.	Muffler Specs.				
			I.D. Inlet Dia.	O.D. Outlet Dia.	Shell Dia.	Overall Length	Shell Length

COCKSHUTT



GAS							
30, R30 (V)	21039	35335	1 ⁵ / ₁₆	2	4 ⁵ / ₈	28 ³ / ₈	15 ⁹ / ₁₆
40, R40, 50, 560, 570, R40, E4, E5 (V)	21060	35337	2 ³ / ₈	2 ¹ / ₂	5 ⁵ / ₈	32	17 ¹¹ / ₁₆
1750, 1800, 1850 (V)	22033	35794	2 ⁷ / ₈	3	5 ⁵ / ₈	32 ¹ / ₂	21
770 HC, D, G, 1600 HC, D, G, 1650G, 1550D, G	21041	35337	2 ¹ / ₃₂	2 ¹ / ₂	4 ¹ / ₂	21	10 ⁷ / ₈
DIESEL							
1650, 1750, 1800, 1850 (V)	22033	35794	2 ⁷ / ₈	3	5 ⁵ / ₈	32 ¹ / ₂	21

JOHN DEERE



GAS							
B, BN, BW Ser. No. B96000 & UP (V) Models 50, 520 (Standard Muffler), 530 Opt. Muffler 1953-59 Use Rain Cap 35513	22162	N.R.	Flange	2 ¹ / ₄	4 ¹ / ₄	24 ¹ / ₂	14
330, 420 After Ser. No. 135025, 430, 440 After Ser. No. 142886 (V)	21188	35335	2	2 ³ / ₁₆	4 ¹ / ₄	17	12 ¹¹ / ₁₆
1010 (V)	21188	35335	2	2 ³ / ₁₆	4 ¹ / ₄	17	12 ¹¹ / ₁₆
3010, 3020, 4000 (V)	22027	35760	2 ²⁹ / ₃₂	2 ¹⁹ / ₃₂	6 ⁵ / ₈	27 ³ / ₈	21
3010, 3020, 4000 (V) Use Rain Cap 35618	22163	35794	2 ³¹ / ₃₂	3	6	26 ¹ / ₂	20
1020, 1520, 1530, 2020, 2030, 2040, 2240, 2440, 2510, 2520, 2630, 2640 (V)	22040 ⁵	N.A.	2 ¹ / ₃₂	1 ²⁵ / ₃₂	4 ⁵ / ₈ x 8 ³ / ₈	32	19
2010 (V)	22109	35334	2 ¹ / ₈	1 ⁷ / ₈ I.D.	4 ¹ / ₄	21	15 ¹ / ₄
4010, 4020, 4230 (V)	22027	35760	2 ²⁹ / ₃₂	2 ¹⁹ / ₃₂	6 ⁵ / ₈	27 ³ / ₈	21
4020 (V) Use Rain Cap 35618	22163	35794	2 ³¹ / ₃₂	3	6	26 ¹ / ₂	20

(V) Vertical

1 Fits Models w/172 Gas Eng. from 1953-57 and Models w/134 Gas Eng. from 1953 on.
2 Fits Models Up to 1964.

(H) Horizontal

3 Fits Models from 1964.
4 Fits Models from 1958-1964.
5 Requires 31322 Gasket.

13 Requires 42596 Pipe.

14 Requires 41980 Adapter & 35753 Clamp.
15 Use Spout 42536 w/35408.

AGRICULTURAL

Models	Muffler No.	Inlet Clamp No.	Muffler Specs.				
			I.D. Inlet Dia.	O.D. Outlet Dia.	Shell Dia.	Overall Length	Shell Length

JOHN DEERE - Cont.

LP GAS							
B, BN, BW Ser. No. B96000 & UP (V) Models 50, 520 (Standard Muffler), 530 Opt. Muffler 1953-59 Use Rain Cap 35513	22162	N.R.	Flange	2¼	4¼	24½	14
3010, 3020 (V)	22027	35760	2 ²⁹ / ₃₂	2 ¹⁹ / ₃₂	6 ⁵ / ₈	27 ³ / ₈	21
3010, 3020, 4000 (V) Use Rain Cap 35618	22163	35794	2 ³¹ / ₃₂	3	6	26½	20
2010 (V)	22109	35334	2½	1 ⁷ / ₈ I.D.	4¼	21	15¼
4010, 4020, 4230 (V)	22027	35760	2 ²⁹ / ₃₂	2 ¹⁹ / ₃₂	6 ⁵ / ₈	27 ³ / ₈	21
4020 (V) Use Rain Cap 35618	22163	35794	2 ³¹ / ₃₂	3	6	26½	20
DIESEL							
330, 420 After Ser. No. 135025, 430, 440 After Ser. No. 142886, 435 (V)	21188	35335	2	2 ³ / ₁₆	4¼	17	12 ¹¹ / ₁₆
3010 Diesel (to Serial No. 1T 6643) (V) Use 35618 Rain Cap	22163	N.R.	2 ¹⁵ / ₁₆	3	6	26½	20
3010 Before Ser. No. 16643, 4000 (V)	22027	35760	2 ²⁹ / ₃₂	2 ¹⁹ / ₃₂	6 ⁵ / ₈	27 ³ / ₈	21
820 Manheim, 830 Manheim, 1020, 1520, 1530, 2020, 2030, 2040, 2240, 2440, 2510, 2520, 2630, 2640 (V)	22040 ⁵	N.A.	2 ¹³ / ₃₂	1 ²⁵ / ₃₂	4 ⁵ / ₈ x 8 ³ / ₈	32	19
3020 Diesel (to Serial No. 2T 7026) (V) Use 35618 Rain Cap	22163	N.R.	2 ¹⁵ / ₁₆	3	6	26½	20
1010, 2010 (V)	22109	35334	2½	1 ⁷ / ₈ I.D.	4¼	21	15¼
3020 Diesel (to Serial No. 122999) (V) Use Rain Cap 35618	22164	N.A.	2 ¹⁵ / ₁₆	2¼	4¼	24½	14
4010 Diesel (Serial No. 2T 7027 & Up) (V) Use Rain Cap 35618	22164	N.A.	2 ¹⁵ / ₁₆	2¼	4¼	24½	14
4020 Diesel (To Serial No. 200999) (V) Use Rain Cap 35618	22164	N.A.	2 ¹⁵ / ₁₆	2¼	4¼	24½	14
3020 Diesel (Serial No. 123000 & Up) (V) 4020 & 4000 (Diesel Serial No. 201000 & Up (V) 4030, 4230, 4040, 4240 and 4440 (V) Use Rain Cap 35513	22165	N.A.	3½ Flare	2¼	4¼ x 9	27	19¼
4010 To Ser. No. 217026, 4020 Up to 1969 (V)	22027	35760	2 ²⁹ / ₃₂	2 ¹⁹ / ₃₂	6 ⁵ / ₈	27 ³ / ₈	21
4030, 4320, 4430, 4440, 4450, 4520, 4620, 4630, 4640, 5010, 5020, 5250, 7020 (V)	22041	N.A.	3 ²⁹ / ₃₂	3 ¹⁹ / ₃₂	4 ⁵ / ₈ x 8 ³ / ₈	38	33
4520 Pipe (V)	42531	35752	4	4	24	—	
COMBINE GAS							
45 From Ser. No. 45-8432 thru 45-21500, 55 Ser. No. 55-46801 to 55-57000, 65 (pull type) From Ser. No. 65-11001 Cotton Picker No. 11601 and Up, Series 99 Self Propelled. (V)	22032	35793	2½	2½	4¼	19½	14¾
55, With HC217 & HE217 JD Motor Ser. No. 57001 thru 59282 and Up.	21473	35337	2½	2	4 ⁵ / ₈	30	17
95 Up to No. 9000 w/HB217 Eng., Ser. No. 9001-11540 w/HD217 Eng., Ser. No. 11541 & Up w/HG217 Eng., All 105 w/HA248 Eng. (V)	22021	35760	3 ⁵ / ₃₂	2¾	5 ⁵ / ₈	22½	19½
699, 9900 Cotton Picker (H)	22021	35760	3 ⁵ / ₃₂	2¾	5 ⁵ / ₈	22½	19½

(V) Vertical

1 Fits Models w/172 Gas Eng. from 1953-57 and Models w/134 Gas Eng. from 1953 on.

2 Fits Models Up to 1964.

(H) Horizontal

3 Fits Models from 1964.

4 Fits Models from 1958-1964.

5 Requires 31322 Gasket.

13 Requires 42596 Pipe.

14 Requires 41980 Adapter & 35753 Clamp.

15 Use Spout 42536 w/35408.

ACCESSORIES

TECH-FIT

HEAVY DUTY TRUCK GWW 7-8

APPLICATION BY ENGINE

MEDIUM DUTY TRUCK GWW 3-6

SCHOOL BUS

AGRICULTURAL

MUFFLER SPECS

O.E. CROSS REFERENCE

AGRICULTURAL

Models	Muffler No.	Inlet Clamp No.	Muffler Specs.				
			I.D. Inlet Dia.	O.D. Outlet Dia.	Shell Dia.	Overall Length	Shell Length

JOHN DEERE - Cont.

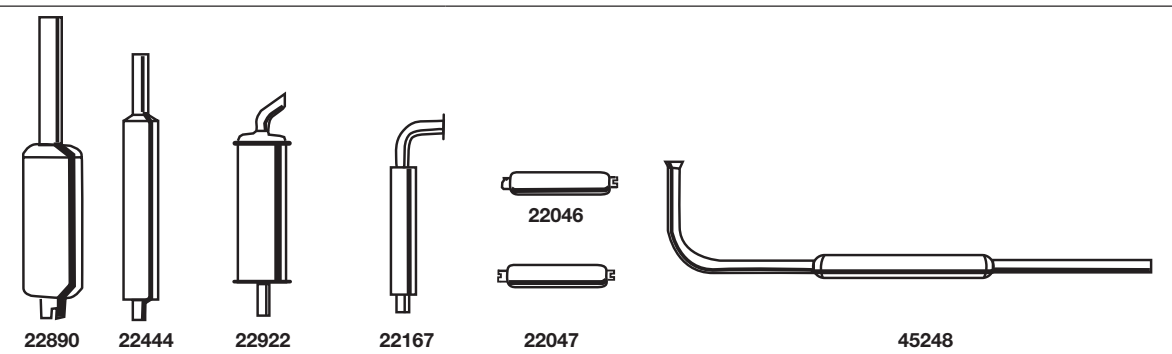
COMBINE LP

45 Ser. No. 45-8432 Up to 45-21500 w/HA145 Eng.	22032	35793	2½	2⅞	4¼	19½	14¾
---	-------	-------	----	----	----	-----	-----

COMBINE DIESEL

45 Ser. No. Up to 25995 w/HA155 Eng., Ser. No. 25996 and Up w/HA165 Eng., 99 Self Propelled w/HA217 or NB217 Eng	22032	35793	2½	2⅞	4¼	19½	14¾
55 Ser. No. 46801 to 60000 w/HA232 Eng.	22021	35760	3⅝ ₃₂	2¾	5⅞	22½	19½

FORD



GAS								
2N, 8N, 9N (H)	45248	N.A.	1½	1⅝	3¼	53¾	24	
NAA, 501, 600, 700, 800, 900 (H) & (V)	22046 ^{1,5,8}	35344	1 ² / ₃₂	1½ I.D.	3¼	17¾	15	
2000, 4000 (H) & (V)	22046 ²	35344	1 ² / ₃₂	1½ I.D.	3¼	17¾	15	
501, 600, 700, 800, 1801 (H)	22047 ⁴	35336	2	1¾ I.D.	3¼	17¼	15	
2000, 3000, 4000, 5000, 4400, 5100 (V) (1968 & Up)	22444	35335	1⅞	2	5⅞	28¾	17	
7000, 7100, 7200, 7600, 7610, 7700, 7710 (V)	22890	35337	2⅜	2½	4⅞ x 9	49	26	
1110, 1210, 1245, 1310, 1320, 1510, 1710, 1910 (1983-87) Use Rain Cap 35225	22167	N.A.	2 O.D.	1½	3	23½	15	
DIESEL								
2000, 4000 (H) & (V)	22046 ²	35344	1 ² / ₃₂	1½ I.D.	3¼	17¾	15	
501, 600, 700, 800, 900, 1801 (H) & (V)	22047 ⁴	35336	2	1¾ I.D.	3¼	17¼	15	
2000, 3000, 4000, 5000, 4400, 5100 (V) (1968 & Up)	22444	35335	1⅞	2	5⅞	28¾	17	
7000, 7100, 7200, 7600, 7610, 7700, 7710 (V)	22890	35337	2⅜	2½	4⅞ x 9	49	26	
(1981-85) 2910, 3910, 4110 (V) (1981-82) 531, 4610 (V) (1978-82) 545 (V) (1976) 515, 531, 535, 4000, 4100, 4600, 5600, 5700, 6600, 6700 w/Cab. (V)	22922	35344	1⅞	2 Spout	4⅞	40¾	26	
1110, 1210, 1245, 1310, 1320, 1510, 1710, 1910 (1983-87) Use Rain Cap 35225	22167	N.A.	2 O.D.	1½	3	23½	15	

(V) Vertical

1 Fits Models w/172 Gas Eng. from 1953-57 and Models w/134 Gas Eng. from 1953 on.

2 Fits Models Up to 1964.

(H) Horizontal

3 Fits Models from 1964.

4 Fits Models from 1958-1964.

5 Requires 31322 Gasket.

13 Requires 42596 Pipe.

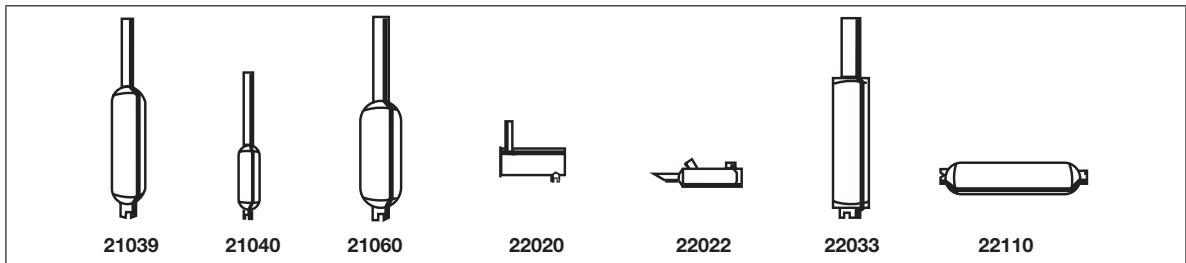
14 Requires 41980 Adapter & 35753 Clamp.

15 Use Spout 42536 w/35408.

AGRICULTURAL

Models	Muffler No.	Inlet Clamp No.	Muffler Specs.				
			I.D. Inlet Dia.	O.D. Outlet Dia.	Shell Dia.	Overall Length	Shell Length

INTERNATIONAL HARVESTER & FARMALL



GAS								
Cub, Cub Lo-Boy	21040	35324	1 ¹ / ₃₂	1 ³ / ₈	3 ¹ / ₄	22	9 ⁵ / ₈	
A, Super A, AV, Super AV, A-1, B, BN, C, Super C, 100, 130, 140, 200, 230, 240, 330, 340, 404 Series (V)	21039	35335	1 ¹⁵ / ₁₆	2	4 ⁵ / ₈	28 ³ / ₈	15 ¹ / ₁₆	
H, Super H, HV, Super HV, M, Super M, Super MTA, W4, Super W4, W6, Super W6, WD6, Super WD6, W6TA, 300, 350, 400, 450, 454, 464, 544, 574, 606, 664, 674 (V)	21060	35337	2 ³ / ₈	2 ¹ / ₂	5 ⁵ / ₈	32	17 ¹ / ₁₆	
300, 330, 340, 350, 504 w/153 C.I.D. (V)	22110	35405	1 ⁵ / ₈	1 ⁵ / ₈ I.D.	4 ¹ / ₄	22 ¹ / ₂	17 ⁵ / ₈	
I.H. 300, Ser. No. 9501 thru 62482. Farmall 300 Ser. No. 62482 and Up. I.H. 350 Ser. No. 501 and Up Series 504 Ser. No. 3104 and Up. (H)	22110	35405	1 ⁵ / ₈	1 ⁵ / ₈ I.D.	4 ¹ / ₄	22 ¹ / ₂	17 ⁵ / ₈	
460, 560, 656, 660 Series (V)	21060	35337	2 ³ / ₈	2 ¹ / ₂	5 ⁵ / ₈	32	17 ¹ / ₁₆	
I.H. 504, 424, 3444, 2424, 444, 2444, 2504, 2500, 3414	21039	35335	1 ¹⁵ / ₁₆	2	4 ⁵ / ₈	28 ³ / ₈	15 ¹ / ₁₆	
706, 756, 806, 826, 856 (V)	22033	35794	2 ²⁹ / ₃₂	3	5 ¹ / ₄	32 ¹ / ₂	21 ³ / ₁₆	
DIESEL								
A, Super A, AV, Super AV, A-1, B, BN, C, Super C, 100, 130, 140, 200, 230, 240, 330, 404 Series (V)	21039	35335	1 ¹⁵ / ₁₆	2	4 ⁵ / ₈	28 ³ / ₈	15 ¹ / ₁₆	
H, Super H, HV, Super HV, M, Super M, Super MTA, W4, Super W4, W6, Super W6, MV, MD, MDV, WD6, Super WD6, W6TA, 300, 340, 350, 400, 450, 454, 460, 464, 504, 544, 560, 574, 606, 656, 660, 664, 674, 706 (V)	21060	35337	2 ³ / ₈	2 ¹ / ₂	5 ⁵ / ₈	32	17 ¹ / ₁₆	
300, 330, 350, w\188 C.I.D. (V)	22110	35405	1 ⁵ / ₈	1 ⁵ / ₈ I.D.	4 ¹ / ₄	22 ¹ / ₂	17 ⁵ / ₈	
I.H. 424, 2424, 444, 2444	21039	35335	1 ¹⁵ / ₁₆	2	4 ⁵ / ₈	28 ³ / ₈	15 ¹ / ₁₆	
706, 756, 806, 826, 856 (V)	22033	35794	2 ²⁹ / ₃₂	3	5 ¹ / ₄	32 ¹ / ₂	21 ³ / ₁₆	
LP								
A, Super A, AV, Super AV, A-1, B, BN, C, Super C, 100, 130, 140, 200, 230, 240, 330, 404 Series (V)	21039	35335	1 ¹⁵ / ₁₆	2	4 ⁵ / ₈	28 ³ / ₈	15 ¹ / ₁₆	
H, Super H, HV, Super HV, M, Super M, Super MTA, W4, Super W4, W6, Super W6, WD6, Super WD6, W6TA, 300, 350, 400, 450, 454, 464, 544, 574, 606, 664, 674 (V)	21060	35337	2 ³ / ₈	2 ¹ / ₂	5 ⁵ / ₈	32	17 ¹ / ₁₆	
300, 330, 340, 350, 504 w\153 C.I.D. (V)	22110	35405	1 ⁵ / ₈	1 ⁵ / ₈ I.D.	4 ¹ / ₄	22 ¹ / ₂	17 ⁵ / ₈	
450, 560, 656, 660 Series (V)	21060	35337	2 ³ / ₈	2 ¹ / ₂	5 ⁵ / ₈	32	17 ¹ / ₁₆	
706, 756, 806, 826, 856 (V)	22033	35794	2 ²⁹ / ₃₂	3	5 ¹ / ₄	32 ¹ / ₂	21 ³ / ₁₆	

- (V) Vertical
1 Fits Models w/172 Gas Eng. from 1953-57 and Models w/134 Gas Eng. from 1953 on.
2 Fits Models Up to 1964.

- (H) Horizontal
3 Fits Models from 1964.
4 Fits Models from 1958-1964.
5 Requires 31322 Gasket.

- 13** Requires 42596 Pipe.
14 Requires 41980 Adapter & 35753 Clamp.
15 Use Spout 42536 w/35408.

ACCESSORIES

TECH-FIT

HEAVY DUTY TRUCK
 GWW 7-8

APPLICATION BY ENGINE

MEDIUM DUTY TRUCK
 GWW 3-6

SCHOOL BUS

AGRICULTURAL

MUFFLER SPECS

O.E. CROSS REFERENCE

AGRICULTURAL

Models	Muffler No.	Inlet Clamp No.	Muffler Specs.				
			I.D. Inlet Dia.	O.D. Outlet Dia.	Shell Dia.	Overall Length	Shell Length

INTERNATIONAL HARVESTER & FARMALL — Cont.

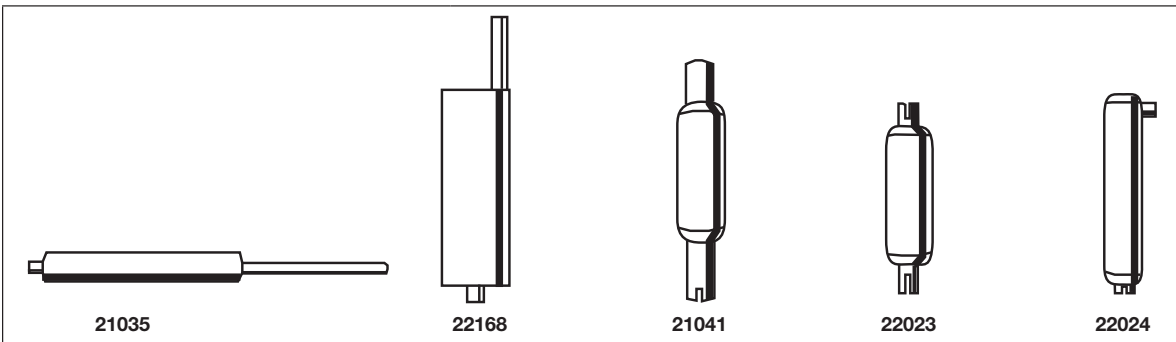
COMBINE GAS

303 w/C221 Eng. Cotton Pickers - 414, 420 w/C263 Eng. (V)	21060	35337	2 ³ / ₈	2 ¹ / ₂	5 ⁵ / ₈	32	17 ¹ / ₁₆
205, 315, 403 Gas Hydro, 403 Hillside w/C282 Eng., Ser. No. 5001 & Up. 503 (V)	22033	35794	2 ²⁹ / ₃₂	3	5 ¹ / ₄	32 ¹ / ₂	21
315, 403 w/D301 Eng., Ser. No. 7224 & Up, 403 Hillside w/D301 Eng., Ser. No. 641 & Up 453 Hillside w/D301 Eng., 503, 615, 715, 422 w/D282 Eng. (V)	21060	35337	2 ³ / ₈	2 ¹ / ₂	5 ⁵ / ₈	32	17 ¹ / ₁₆

GARDEN TRACTOR GAS

102, 104, 105, 106, 107, 108, 109, 122, 123, 124, 125, 126, 127, 128, 129, 147, 149 (H)	22022	35325	1 ¹ / ₃₂	1 ³ / ₈	3 ¹ / ₄	15 ³ / ₄	11
1000, 1250, 1450, 1650 (H)	22020	35405	1 ⁷ / ₁₆	1 ³ / ₈	5	12 ¹ / ₂	12 ¹ / ₂

MASSEY-FERGUSON



GAS

MF-135 (H)	21035	35325	1 ¹ / ₂	1 ⁵ / ₈	3 ¹ / ₄	34 ¹ / ₄	24
MF-135 (V)	22023	35335	1 ⁷ / ₈	1 ¹ / ₂	4 ¹ / ₄	18	13
20, 20K, 22, 22K, 30, 30K, 33, 333, 44, 44K, 44D, 44-6, 44 Special, 444, 55, 55K, 55D, 555, 81, 82, 101 Jr., 101 Senior, 102 Jr., 102 Senior (1942-1957) (V)	21041	35337	2 ¹³ / ₃₂	2 ¹ / ₂	4 ¹ / ₂	21	10 ⁷ / ₈
TO35, MH35, MF35 (H)	21035	35325	1 ¹ / ₂	1 ⁵ / ₈	3 ¹ / ₄	34 ¹ / ₄	24
MF-35 Utility, MF202, MF-203, MF204, MF205 (V)	22023	35335	1 ⁷ / ₈	1 ¹ / ₂	4 ¹ / ₄	18	13
F-40, M11-50, MF-50 (H)	22024	35335	1 ²⁹ / ₃₂	1 ³ / ₈	3 ¹ / ₄	18 ¹ / ₂	17 ³ / ₈
MF-230, MF-235, MF-245, MF-255, MF-275 (H) Replacement for OE Models 535389M91 and 998669M91	22168 ¹⁵	35335	2 O.D.	2	4 x 8	34	23 ¹ / ₄

(V) Vertical

1 Fits Models w/172 Gas Eng. from 1953-57 and Models w/134 Gas Eng. from 1953 on.

2 Fits Models Up to 1964.

(H) Horizontal

3 Fits Models from 1964.

4 Fits Models from 1958-1964.

5 Requires 31322 Gasket.

13 Requires 42596 Pipe.

14 Requires 41980 Adapter & 35753 Clamp.

15 Use Spout 42536 w/35408.



AGRICULTURAL

Models	Muffler No.	Inlet Clamp No.	Muffler Specs.				
			I.D. Inlet Dia.	O.D. Outlet Dia.	Shell Dia.	Overall Length	Shell Length

MASSEY-FERGUSON — Cont.

DIESEL								
MF-135 (H)	21035	35325	1½	1⅝	¾	34¼	24	
MF-135 (V)	22023	35335	1⅞	1½	¾	18	13	
(1942-1957) 20, 20K, 22, 22K, 30, 30K, 33, 333, 44, 44K, 44D, 44-6, 44 Special, 444, 55, 55K, 55D, 555, 81, 82, 101 Jr., 101 Senior, 102 Jr., 102 Senior (V)	21041	35337	2 ¹³ / ₃₂	2½	4½	21	10⅞	
TO-20, TO-30 w/Perkins Eng., TO-35, MN-35, MF-35 (H)	21035	35325	1½	1⅝	¾	34¼	24	
MF-230, MF-235, MF-245, MF-255, MF-275 (H) Replacement for OE Models 535389M91 and 998669M91	22168 ¹⁵	35335	2 O.D.	2	4 x 8	34	23¼	
LP								
(1942-1957) 20, 20K, 22, 22K, 30, 30K, 33, 333, 44, 44K, 44D, 44-6, 44 Special, 444, 55, 55K, 55D, 555, 81, 82, 101 Jr., 101 Senior, 102 Jr., 102 Senior (V)	21041	35337	2 ¹³ / ₃₂	2½	4½	21	10⅞	
F-40, MH50, MF-50 (H)	22024	35335	1 ²⁹ / ₃₂	1⅝	¾	18½	17⅝	

MINNEAPOLIS-MOLINE

 								
22037 22038								
GAS								
335 Universal & Utility, 445 Universal & Utility (V)	22038	35337	2 ⁹ / ₃₂	2 ¹¹ / ₃₂	¾	17⅞	13	
Old Model Z.G. U66 (GV1), 5 Star, Jet Star (V)	22037	35794	2¾	2½	4⅝	26⅞	16½	
DIESEL								
445 Universal & Utility (V)	22038	—	2 ⁹ / ₃₂	2 ¹¹ / ₃₂	¾	17⅞	13	
Old Model Z.G. U66 (GV1), 5 Star, Jet Star (V)	22037	35794	2¾	2½	4⅝	26⅞	16½	

- (V) Vertical
1 Fits Models w/172 Gas Eng. from 1953-57 and Models w/134 Gas Eng. from 1953 on.
2 Fits Models Up to 1964.

- (H) Horizontal
3 Fits Models from 1964.
4 Fits Models from 1958-1964.
5 Requires 31322 Gasket.

- 13** Requires 42596 Pipe.
14 Requires 41980 Adapter & 35753 Clamp.
15 Use Spout 42536 w/35408.

ACCESSORIES

TECH-FIT

HEAVY DUTY TRUCK
 GW 7-8

APPLICATION BY ENGINE

MEDIUM DUTY TRUCK
 GW 3-6

SCHOOL BUS

AGRICULTURAL

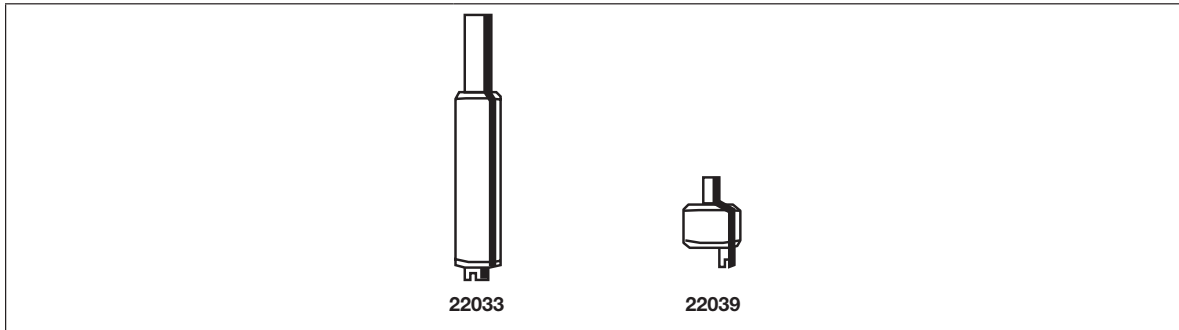
MUFFLER SPECS

O.E. CROSS REFERENCE

AGRICULTURAL

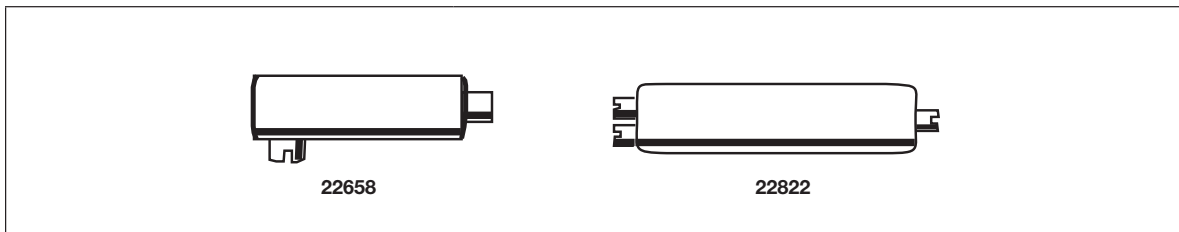
Models	Muffler No.	Inlet Clamp No.	Muffler Specs.				
			I.D. Inlet Dia.	O.D. Outlet Dia.	Shell Dia.	Overall Length	Shell Length

OLIVER



GAS							
66 (V)	22039	35793	2½ OD	1¾	6	8½	3¼
1750, 1800, 1850 (V)	22033	35794	2⅞	3	5⅞	32½	21
77 Ser. No. 320000 thru 326502, 77 HC (V)	22039	35793	2½ OD	1¾	6	8½	3¼
DIESEL							
66 (V)	22039	—	2½ OD	1¾	6	8½	3¼
1650, 1750, 1800, 1850 (V)	22033	35794	2⅞	3	5⅞	32½	21
77 Ser. No. 320000 thru 326502, 77 HC, 88 (V)	22039	35793	2½ OD	1¾	6	8½	3¼

VERSATILE



DIESEL							
118, 145 (V)	22822 (2)	35337	2½ Dual Inlet	3	8½	43	38
118, 145 (V)	22822 (2)	35337	2½ Dual Inlet	3	8½	43	38
(1981æUp) 400 Swather, 4400 Swather (Gas)	22658	35335	2	2⅞	5⅞	26	22½

(V) Vertical

1 Fits Models w/172 Gas Eng. from 1953-57 and Models w/134 Gas Eng. from 1953 on.
2 Fits Models Up to 1964.

(H) Horizontal

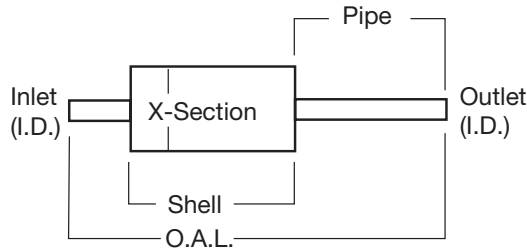
3 Fits Models from 1964.
4 Fits Models from 1958-1964.
5 Requires 31322 Gasket.

13 Requires 42596 Pipe.

14 Requires 41980 Adapter & 35753 Clamp.
15 Use Spout 42536 w/35408.

AGRICULTURAL MUFFLER SPECIFICATIONS

STYLE 1 - CENTER TO CENTER



Part No.	Cross Section	Inlet ID	Outlet ID	Shell Length	Overall Length	Pipe Length
22861‡	5.62	3.50	3.60 OD	28	42.2	11.2
22028	3.25	1.50 OD	1.50 OD	19.75	32.56	12.81
22027‡	6.62	2.88	2.60 OD	21	27.38	3.38
22033	5.62	2.93	3.04 OD	21.2	32.5	9.6
22038	4.25	2.25	2.25	13	17	2
22043	3.25	1.75 OD	1.75 OD	19.5	31.25	11.75
22042‡	3.25	1.75 OD	1.75 OD	15.5	31.5	15
21060	5.62	2.38	2.50 OD	17.7	32	12.5
22047	3.25	2.00	1.75	15	17.2	1.1
22046	3.25	1.63	1.50	15	17.6	1.3
21035	3.25	1.50	1.50	24	34.25	8.25
22444	5.62	1.88	2.00 OD	17	28.7	7.2
21040	3.25	1.33	1.33	9.6	22.2	10.1
21033	4.25	2.25	2.25	22.5	26.75	2.25
21188‡	4.25	2.00	2.13 OD	12.7	17.1	2.4
21041	4.5	2.40	2.40	10.88	21	4
21473*	4.62	2.50	2.63 OD	14.5	27.6	5.1
21039	4.62	1.94	1.94	15.56	28.38	10.63
22037	4.62	2.75	2.50 OD	16.5	26	4.75
22023	4.25	1.88	1.50	12.63	17.94	2.38
22110	4.25	1.63	1.63	17.63	22.5	2.44
22109*	4.25	2.13	1.88 OD	15.25	21	2
22041‡	4.62 x 8.38	3.88#	3.63 OD	33	38	4.2
22890*	4.12 x 9	2.38	2.50 OD	26	49	19.2
22904‡	6.12 x 10.12	3.00	3.25 OD	32	48	12
22922*	4.12 x 9	1.86	2.00 OD	25.98	40.75	4.5
45248	3.24	1.625§	1.625 OD	24	54.5	9
22162	4.25 RD	WF	2.25 OD	14	24.5	5
22163	6 RD	2.97	3.00 OD	20	26.5	0
22164	6 RD	2.93	3.00 OD	20	26	0
22166	3.25 RD	1.94	2.00 OD	19	29	12
22167	3 RD	WF	1.50 OD	15	23.5	5
22816	10 RD	4	4	36	43	3.5

‡ Low Carbon Steel

* Black Topcoat

83° Flare x 4.31 OD

§ 83° Flare x 2.00 OD

◆ 83° Flare x 3.09 OD

ACCESSORIES

TECH-FIT

HEAVY DUTY TRUCK
GW 7-8

APPLICATION
BY ENGINE

MEDIUM
DUTY TRUCK
GW 3-6

SCHOOL
BUS

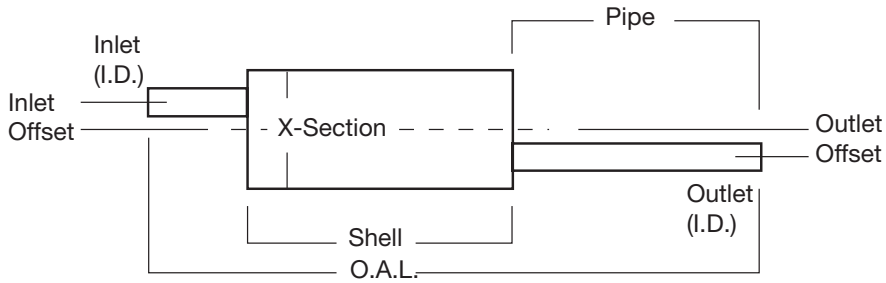
AGRICULTURAL

MUFFLER
SPECS

O.E. CROSS
REFERENCE

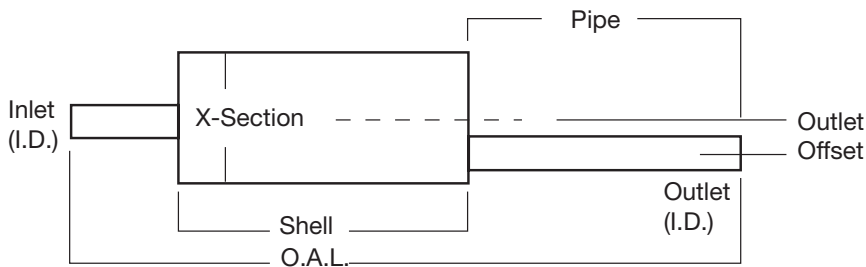
AGRICULTURAL MUFFLER SPECIFICATIONS

STYLE 2 - OFFSET TO OFFSET



Part No.	Cross Section	Inlet ID	Inlet Offset	Outlet ID	Outlet Offset	Shell Length	Overall Length	Pipe Length
22040*	4.62 x 8.38	2.45‡	2.25	1.88 OD	0.5	19	30.5	8.4
22165	4.25 x 9.00	3.50 SF	1.50	2.25 OD	2.38	19.25	27	4.25

STYLE 3 - CENTER TO OFFSET



Part No.	Cross Section	Inlet ID	Outlet ID	Outlet Offset	Shell Length	Overall Length	Pipe Length
22390	4.62 x 8.38	2.50	1.84 OD	2.5	19	33.5	9
22168	4.00 X 8.00	2.00 OD	2.00 OD	2.75	23.25	34.00	8.50

‡ Low Carbon Steel

* Black Topcoat

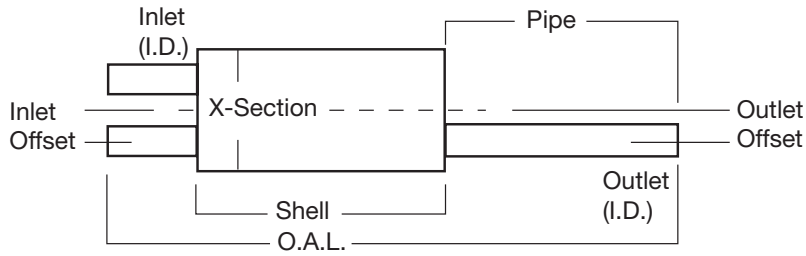
83° Flare x 4.31 OD

§ 83° Flare x 2.00 OD

‡ 83° Flare x 3.09 OD

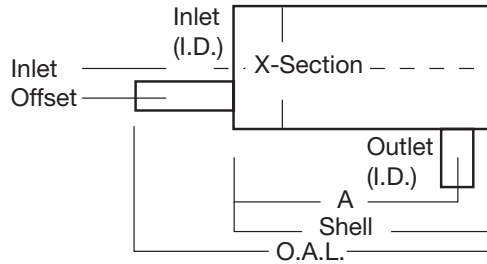
AGRICULTURAL MUFFLER SPECIFICATIONS

STYLE 5 - DUAL INLET TO SINGLE OUTLET



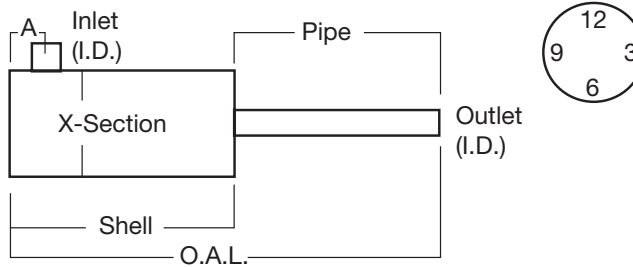
Part No.	Cross Section	Inlet ID	Inlet Offset	Outlet ID	Outlet Offset	Shell Length	Overall Length	Pipe Length
22822	8.38	2.50	1.62 1.62	3.00	2	36.5	43	3.25

STYLE 9 - SIDE OUTLET



Part No.	Cross Section	Inlet ID	Inlet Offset	Outlet ID	"A" Outlet Offset	Shell Length	Overall Length
22024	3.25	1.90	N.A.	1.36 OD	15.75	17.38	18.5

STYLE 10 - SIDE INLET



Part No.	Cross Section	Inlet ID	Outlet ID	Outlet Offset	Outlet Position	"A" Outlet Offset	Shell Length	Overall Length	Pipe Length
22658*	5.62	2.00	2.12 OD	N.A.	N.A.	2	22.5	26	3.5
22032	4.25	2.50	2.12 OD	N.A.	N.A.	4	14.75	19.5	4
22021	5.62	3.13	2.75 OD	N.A.	N.A.	3.3	19.5	22.5	3
22022‡	3.25	1.32	1.38 OD	N.A.	N.A.	1.37	11	15.75	4.75

‡ Low Carbon Steel

* Black Topcoat

83° Flare x 4.31 OD

§ 83° Flare x 2.00 OD

◆ 83° Flare x 3.09 OD

ACCESSORIES

TECH-FIT

HEAVY DUTY TRUCK
GW 7-8

APPLICATION
BY ENGINE

MEDIUM
DUTY TRUCK
GW 3-6

SCHOOL
BUS

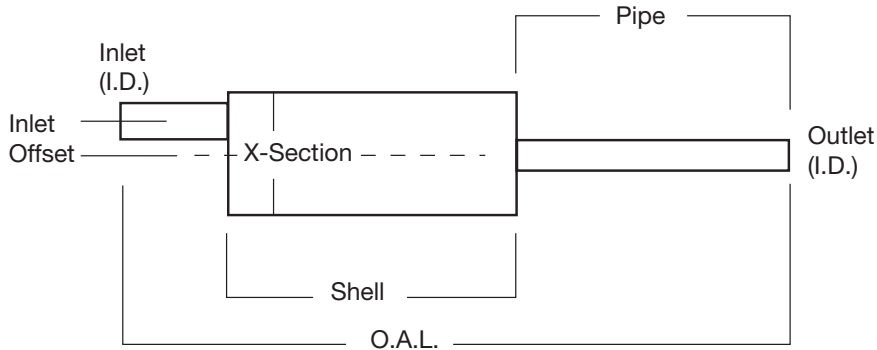
AGRICULTURAL

MUFFLER
SPECS

O.E. CROSS
REFERENCE

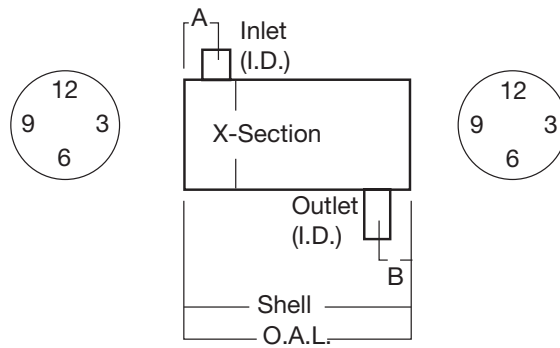
AGRICULTURAL MUFFLER SPECIFICATIONS

STYLE 11 - OFFSET TO CENTER



Part No.	Cross Section	Inlet ID	Inlet Offset	Outlet ID	Shell Length	Overall Length	Pipe Length
22039*	6.62	—	1.56	1.80 OD	5.1	10.4	3.1

STYLE 13 - SIDE INLET/SIDE OUTLET



Part No.	Cross Section	Inlet ID	"A" Inlet Offset	Outlet ID	"B" Outlet Offset	Outlet Position	Shell Length	Overall Length
22020*	5	1.42	1.5	1.38 OD	2.9	6	12.5	12.5